

Instrumentation Valves and Accessories



tactlok

TT-201-BV
ROUND BODY BALL VALVE 01



TT-204-BV-3W
3 WAY BALL VALVE 04



TT-302-PNV
NEEDLE VALVES SCREWED BONNET DOUBLE 07
Ferrule Tube Ends
(Tube x Tube)



TT-401-2VMR
For Vent - TT-401-2VMR-V
TWO VALVE MANIFOLD REMOTE MOUNT 10
(Pipe x Pipe)



TT-404-3VMT
For Vent - TT-404-3VMT-V
THREE VALVE MANIFOLD DIRECT MOUNT T TYPE 13
(Pipe x Flange)



TT-407-5VMT
For Vent - TT-407-5VMT-V
FIVE VALVE MANIFOLD, DIRECT MOUNT T TYPE 16
(Pipe x Flange)



TT-501-CV-FXF-6K
CHECK VALVE 19
(Female X Female)



TT-202-P-BV
PANEL MOUNT BALL VALVE 02

TT-204-BV-5W
5 WAY BALL VALVE 05

TT-303-NV
NEEDLE VALVES SINGLE 08
Bonnet Design
(Female x Female)



TT-402-2VMT
For Vent - TT-402-2VMT-V
TWO VALVE "T" TYPE MANIFOLD FOR PRESSURE INSTRUMENTS 11
(Pipe x Flange)



TT-405-3VMH
For Vent - TT-405-3VMH-V
THREE VALVE MANIFOLD DIRECT MOUNT H TYPE 14
(Flange x Flange)



TT-408-5VMH
For Vent - TT-408-5VMH-V
FIVE VALVE MANIFOLD DIRECT MOUNT H TYPE 17
(Flange x Flange)



TT-203-BV-2W
2 WAY BALL VALVE 03



TT-301-PNV
PANEL MOUNT NEEDLE VALVES 06
Screwed Ends (Female X Female)



TT-304-NV
NEEDLE VALVES SINGLE 09
Bonnet Design (Male x Female)

TT-403-3VMR
For Vent - TT-403-3VMR-V
THREE VALVE MANIFOLD REMOTE MOUNT 12
(Pipe x Pipe)



TT-406-5VMR
For Vent - TT-406-5VMR-V
FIVE VALVE MANIFOLD REMOTE MOUNT 15
(Pipe x Pipe)



TT-409-5VMC
For Vent - TT-409-5VMC-V
FIVE VALVE MANIFOLD COPLANAR MOUNT 18
(Pipe x Flange)



**TT-601
CONDENSATE POT****20****TT-604
FLANGES CONNECTOR /
FLANGE ADAPTOR****23****TT-602
AIR HEADER****21****TT-603
GAUGE SNUBBER****22**

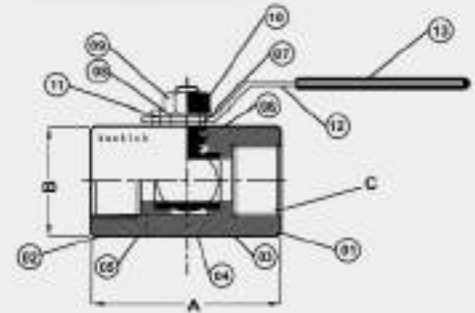


ROUND BODY BALL VALVE

Model No. - TT-201-BV

FEATURES

Maximum working pressure:
3000 psi (206 bar) at 100°F (38°C)
Working temperature:
From -30°C to 180°C with PTFE seat
A 316 stainless steel handle covered with vinyl sleeve gives quarter turn rust-free operation. Valves with PTFE seats are supplied with sleeves on handles. A robust pin is to create a positive stop. The stem with shoulder provides blowout proof design to maintain seal integrity at all pressure. Optional sour gas service conforms to NACE Mr0175. Ball valves are hydrostatic tested at the full rated pressure and low pressure pneumatic at 70 psi. 100% factory test



DESCRIPTION

Bill Of Material

Sr. No.	Description	Material	Qty
1	Body	SS316	1
2	Adaptor	SS316	1
3	Seat Ring	PTFE	2
4	Ball	SS316	1
5	Gasket	PTFE	1
6	Gland Seal	PTFE	2
7	Gland Washer	SS316	1
8	Spring Washer	SS	1
9	Lock Nut	SS316	1
10	Stem	SS316	1
11	Stopper Pin	SS304	1
12	Handle	SS304	1
13	Handle Sleeve	PVC	1

3000 PSI

Model No.	A	ØB	C
TT-201-BV-2	55	27	1/8"NPT(F)
TT-201-BV-4	57	31	1/4"NPT(F)
TT-201-BV-6	57	31	3/8"NPT(F)
TT-201-BV-8	68	35	1/2"NPT(F)
TT-201-BV-12	75	43	3/4"NPT(F)
TT-201-BV-16	83	48	1"NPT(F)
TT-201-BV-20	102	63	1.1/4"NPT(F)
TT-201-BV-24	105	67	1.1/2"NPT(F)
TT-201-BV-32	123	86	2"NPT(F)

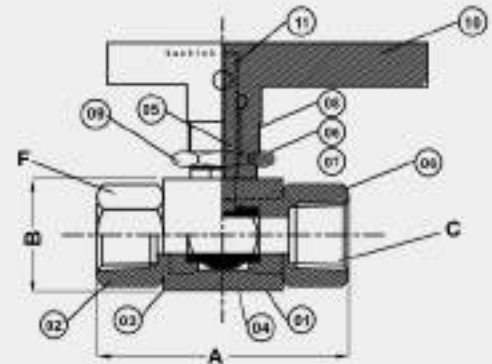
Note: All dimensions are subject to change without notice All dimensions are in mm unless specified
Range of Seals (Graphoil, PTFE, PEEK etc.) and Materials (Inconel, Monel, Hastelloy, Duplex etc.) available.

PANEL MOUNT BALL VALVE

Model No. TT-202-P-BV

FEATURES

Maximum working pressure:
3000 psi (206 bar) at 38°C
Working temperature:
From -54°C to 180°C with PEEK Packing.
A short handle gives quarter turn rust-free operation.
Valves with PTFE seats are supplied with short handles.
A robust pin is to create a positive stop.
The stem + with shoulder provides blowout proof design to maintain seal integrity at all pressure.
Optional sour gas service conforms to NACE Mr0175.
Ball valves are hydrostatic tested at the full rated pressure and low pressure pneumatic at 70 psi.
100% factory test



DESCRIPTION

Bill Of Material

3000 PSI (NPT)

Sr. No.	Description	Material	Qty
1	Body	SS316	1
2	Adaptor	SS316	2
3	Seat Ring	DELFIN	2
4	Ball	SS316	1
5	Stem	Ss316	1
6	Gland Seal	PTFE	1
7	Gland Washer	SS316	1
8	Gland Retainer	Ss316	1
9	Check Nut	Ss304	1
10	Handle	Plastic	1
11	Grub Screw	SS304	1

Model No.	A	B(SQ)	C	F(A/F)
TT-202-P-BV-2	63.0	25.0	1/8"NPT (F)	19.0
TT-202-P-BV-4	63.0	25.0	1/4"NPT (F)	19.0
TT-202-P-BV-6	65.0	25.0	3/8"NPT (F)	22.0
TT-202-P-BV-8	78.0	32.0	1/2"NPT (F)	27.0
TT-202-P-BV-12	92.0	40.0	3/4"NPT (F)	36.0
TT-202-P-BV-16	106.0	45.0	1"NPT (F)	41.0

Note: All dimensions are subject to change without notice All dimensions are in mm unless specified
Range of Seals (Graphoil, PTFE, PEEK etc..) and Materials (Inconel, Monel, Hastelloy, Duplex etc..) available.

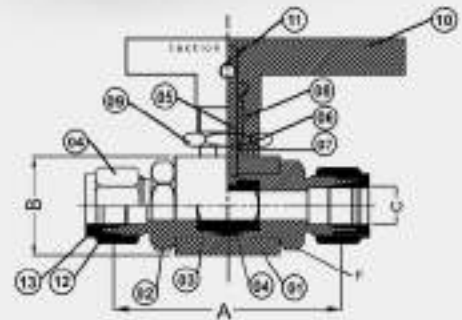


2 WAY BALL VALVE

Model No. - TT-203-BV-2W

FEATURES

Maximum working pressure:
3000 psi (206 bar) at 38°C
Working temperature:
From -54°C to 180°C with PEEK Packing.
A short handle gives quarter turn rust-free operation.
Valves with PTFE seats are supplied with short handles.
A robust pin is to create a positive stop.
The stem + with shoulder provides blowout proof design to maintain seal integrity at all pressure.
Optional sour gas service conforms to NACE Mr0175.
Ball valves are hydrostatic tested at the full rated pressure and low pressure pneumatic at 70 psi.
100% factory test



DESCRIPTION

Bill Of Material

Sr. No.	Description	Material	Qty
1	Body	SS316	1
2	Adaptor	SS316	2
3	Seat Ring	PTFE	2
4	Ball	SS316	1
5	Stem	SS316	1
6	Gland Seal	PTFE	1
7	Gland Washer	SS316	1
8	Gland Retainer	SS316	1
9	Check Nut	SS316	1
10	Handle	Plastic	1
11	Grub Screw	SS304	1
12	Front Ferrule	SS316	2
13	Back Ferrule	SS316	2
14	Nut	SS316	2

3000 PSI (OD)

Model No.	A	B(SQ)	C	F(A/F)
TT-203-BV-2W-2	63.0	25.0	1/8"OD	19.0
TT-203-BV-2W-4	63.0	25.0	1/4"OD	19.0
TT-203-BV-2W-6	63.0	25.0	3/8"OD	19.0
TT-203-BV-2W-8	78.0	32.0	1/2"OD	27.0
TT-203-BV-2W-12	78.0	32.0	3/4"OD	27.0
TT-203-BV-2W-16	92.0	40.0	1"OD	36.0

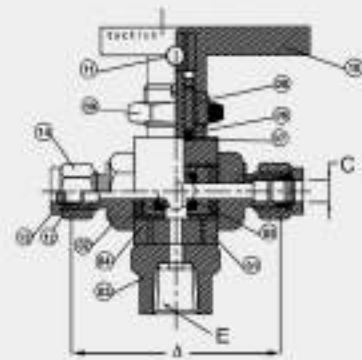
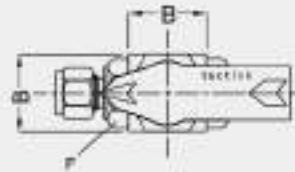
Note: All dimensions are subject to change without notice All dimensions are in mm unless specified
Range of Seals (Graphoil, PTFE, PEEK etc.) and Materials (Inconel, Monel, Hastelloy, Duplex etc.) available.

3 WAY BALL VALVE

Model No. - TT-204-BV-3W

FEATURES

Maximum working pressure: 3000 psi (206 bar) at 38°C
 Working temperature: From -54°C to 180°C with PEEK Packing. A short handle gives quarter turn rust-free operation. Valves with PTFE seats are supplied with short handles. A robust pin is to create a positive stop. The stem + with shoulder provides blowout proof design to maintain seal integrity at all pressure. Optional sour gas service conforms to NACE Mr0175. Ball valves are hydrostatic tested at the full rated pressure and low pressure pneumatic at 70 psi. 100% factory test.



DESCRIPTION

Bill Of Material

Sr. No.	Description	Material	Qty
1	Body	SS316	1
2	DD Adaptor	SS316	2
3	Female Adaptor	SS316	1
4	Seat Ring	PTFE	2
5	Ball Stem	SS316	1
6	Gland Seal	PTFE	2
7	Gland Washer	SS316	1
8	Gland Retainer	SS316	1
9	Check Nut	SS316	1
10	Handle	Plastic	1
11	Grub Screw	SS304	1
12	Front Ferrule	SS316	2
13	Back Ferrule	SS316	2
14	Nut	SS316	2

3000 PSI (OD)

Model No.	A	B(SQ)	C	F(A/F)
TT-204-BV-3W-2	63.0	25.0	1/8"OD	19.0
TT-204-BV-3W-4	63.0	25.0	1/4"OD	19.0
TT-204-BV-3W-6	63.0	25.0	3/8"OD	19.0
TT-204-BV-3W-8	78.0	32.0	1/2"OD	27.0
TT-204-BV-3W-12	78.0	32.0	3/4"OD	37.0
TT-204-BV-3W-16	92.0	40.0	1"OD	36.0

3000 PSI (NPT)

Model No.	A	B(SQ)	C	F(A/F)
TT-204-BV-3W-2	63.0	25.0	1/8"NPT (F)	19.0
TT-204-BV-3W-4	63.0	25.0	1/4"NPT (F)	19.0
TT-204-BV-3W-6	63.0	25.0	3/8"NPT (F)	22.0
TT-204-BV-3W-8	78.0	32.0	1/2"NPT (F)	27.0
TT-204-BV-3W-12	92.0	40.0	3/4"NPT (F)	36.0
TT-204-BV-3W-16	106.0	45.0	1"NPT (F)	41.0

Note: All dimensions are subject to change without notice All dimensions are in mm unless specified
 Range of Seals (Graphoil, PTFE, PEEK etc..) and Materials (Inconel, Monel, Hastelloy, Duplex etc..) available.

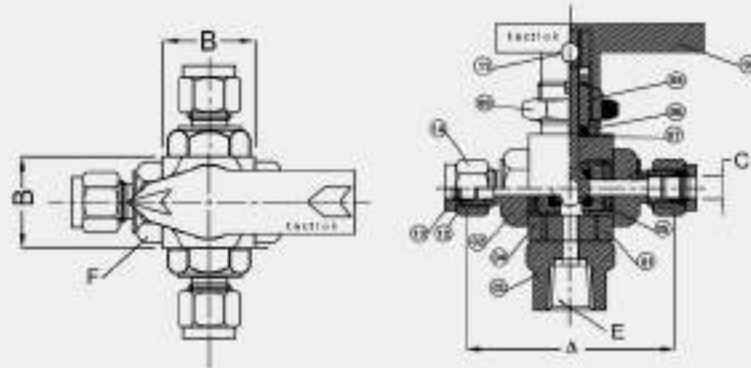


5 WAY BALL VALVE

Model No. TT-204-BV-5W

FEATURES

Maximum working pressure: 3000 psi (206 bar) at 38°C
 Working temperature : From -54°C to 180°C with PEEK Packing. A short handle gives quarter turn rust-free operation. Valves with PTFE seats are supplied with short handles. A robust pin is to create a positive stop. The stem + with shoulder provides blowout proof design to maintain seal integrity at all pressure. Optional sour gas service conforms to NACE Mr0175. Ball valves are hydrostatic tested at the full rated pressure and low pressure pneumatic at 70 psi. 100% factory test.



DESCRIPTION

Bill Of Material

Sr. No.	Description	Material	Qty
1	Body	SS316	1
2	DD Adaptor	SS316	4
3	Female Adaptor	SS	1
4	Seat Ring	PTFE	2
5	Ball Stem	SS316	1
6	Gland Seal	PTFE	2
7	Gland Washer	SS304	1
8	Gland Retainer	SS304	1
9	Check Nut	SS304	1
10	Handle	Plastic	1
11	Grub Screw	SS304	1
12	Front Ferrule	SS316	4
13	Back Ferrule	SS316	4
14	Nut	SS316	4

3000 PSI (OD)

Model No.	A	B(SQ)	C	F(A/F)
TT-204-BV-5W-2	63.0	32.0	1/8"OD	19.0
TT-204-BV-5W-4	63.0	32.0	1/4"OD	19.0
TT-204-BV-5W-6	63.0	32.0	3/8"OD	19.0
TT-204-BV-5W-8	92.0	40.0	1/2"OD	27.0
TT-204-BV-5W-12	92.0	40.0	3/4"OD	27.0
TT-204-BV-5W-16	106.0	50.0	1"OD	36.0

3000 PSI (NPT)

Model No.	A	B(SQ)	C	F(A/F)
TT-204-BV-5W-2	63.0	32.0	1/8"NPT (F)	19.0
TT-204-BV-5W-4	63.0	32.0	1/4"NPT (F)	19.0
TT-204-BV-5W-6	65.0	32.0	3/8"NPT (F)	22.0
TT-204-BV-5W-8	92.0	40.0	1/2"NPT (F)	27.0
TT-204-BV-5W-12	92.0	40.0	3/4"NPT (F)	36.0
TT-204-BV-5W-16	106.0	50.0	1"NPT (F)	41.0

Note: All dimensions are subject to change without notice All dimensions are in mm unless specified
 Range of Seals (Graphoil, PTFE, PEEK etc..) and Materials (Inconel, Monel, Hastelloy, Duplex etc..) available.



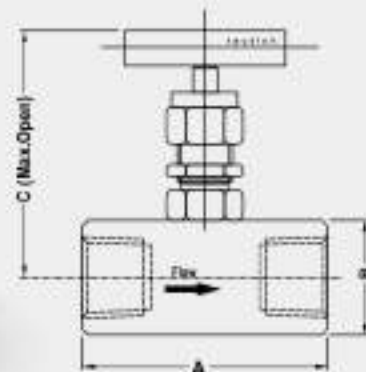
PANEL MOUNT NEEDLE VALVES

Screwed Ends (Female X Female)

Model No. TT-301-PNV

FEATURES

Maximum working pressure:
 3000 psi (207bar) at 100°F (38°C)
 6000 psi (414bar) at 100°F (38°C)
 Working temperature:
 -65°F (-54°C) to 464°F (240°C)
 -65°F (-54°C) to 842°F (450°C)
 PTFE packings can be adjusted to extend the valve life. Stem threads are rolled and lubricated to prevent galling and reduce operating torque.
 Optional sour gas service conforms to NACE Mr0175.
 Hydro test performed with pure water at 1.5 times of working pressure, 100% factory test
 Bonnet Lock pin Prevents accidental Removal while in service. Material : A479 304, A479 316, A182 GRF 316, Monel, Hastelloy, Inconel



DESCRIPTION

Sr. No.	Description	Material	Qty
1	Body	SS316	1
2	Gland Body	SS316	1
3	Gland Retainer	SS304	1
4	Check Nut	SS304	1
5	Spindle	SS316	1
6	Gland Packing	PTFE	1
7	Gland Ring	SS304	1
8	Gland Washer	SS304	1
9	Trim	SS316	1
10	Dust Cap	Rubber	1
11	Handle	SS316	1
12	Grub Screw	SS	1
13	Lock Pin	SS304	1

Note: 1. Packing is optional with graphite for high temperature to 450°C

Note: All dimensions are subject to change without notice All dimensions are in mm unless specified
 Range of Seals (Graphoil, PTFE, PEEK etc..) and Materials (Inconel, Monel, Hastelloy, Duplex etc..) available.

6000 PSI

Model No.	Inlet x Outlet	A	B	C
TT-301-PNV-4	1/4" NPT	50	22	89
TT-301-PNV-6	3/8" NPT	50	25	90
TT-301-PNV-8	1/2" NPT	65	28	92
TT-301-PNV-12	3/4" NPT	65	36	95
TT-301-PNV-16	1" NPT	80	45	100

3000 PSI

Model No.	Inlet x Outlet	A	B	C
TT-301-PNV-4	1/4" NPT	46	19	89
TT-301-PNV-6	3/8" NPT	46	22	90
TT-301-PNV-8	1/2" NPT	55	25	92
TT-301-PNV-12	3/4" NPT	65	32	95
TT-301-PNV-16	1" NPT	74	40	100



NEEDLE VALVES SCREWED BONNET DOUBLE

Ferrule Tube Ends (Tube x Tube)
Model No. **TT-302-PNV**

FEATURES

Maximum working pressure: 6000 psi (414bar) at 100°F (38°C)
Working temperature: -65°F (-54°C) to 464°F (240°C), -65°F (-54°C) to 842°F (450°C)
PTFE packings can be adjusted to extend the valve life. Stem threads are rolled and lubricated to prevent galling and reduce operating torque. Optional sour gas service conforms to NACE Mr0175. Hydro test performed with pure water at 1.5 times of working pressure. 100% factory test Bonnet Lock pin Prevents accidental Removal while in service. Material : A479 304, A479 316, A182 GRF 316, Monel, Hastelloy, Inconel

DESCRIPTION

Bill Of Material

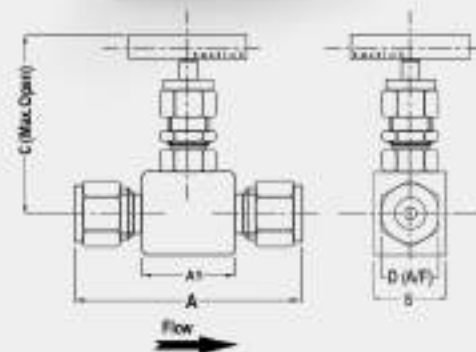
Sr. No.	Part Description	Material	Qty
1	Body	SS316	1
2	Gland Body	SS316	1
3	Gland Nut	SS304	1
4	Spindle	SS316	1
5	Gland Packing	PTFE	1
6	Gland Bush	SS304	1
7	Trim	SS316	1
8	Dust Cap	Rubber	1
9	Handle	SS304	1
10	Grub Screw	SS	1
11	Check Nut	SS304	1

Note: 1. Packing is optional with graphite for high temperature to 450°C

6000 PSI

Model No.	TUBE OD	A	A1	B	C	D (A/F)
TT-302-PNV-4/6m	1/4" / 6mm	54	22	19	19.0	14
TT-302-PNV-5/8m	5/16" / 8mm	54	22	19	19.0	14
TT-302-PNV-4/6m	1/4" / 6mm	54	22	19	22.0	16
TT-302-PNV-6/10m	3/8" / 10mm	70	22	22	28.5	17
TT-302-PNV-8/12m	1/2" / 12mm	74	25	25	32.0	22
TT-302-PNV-12/20m	3/4" / 20mm	85	35	38	41.0	28.5
TT-302-PNV-8/12m	1" / 25mm	100	40	45	32.0	38

Note: All dimensions are subject to change without notice All dimensions are in mm unless specified
Range of Seals (Graphoil, PTFE, PEEK etc..) and Materials (Inconel, Monel, Hastelloy, Duplex etc..) available.



Note:
Also available in double bonnet design.

NEEDLE VALVES SINGLE

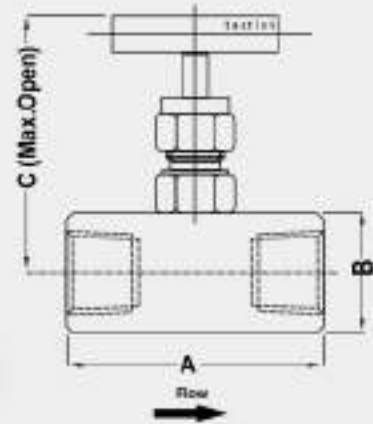
Bonnet Design (Female x Female)

Model No. TT-303-NV



FEATURES

Maximum working pressure:
 3000 psi (207 bar) at 100°F (38°C)
 6000 psi (414bar) at 100°F (38°C)
 Working temperature:
 -22°F (-30°C) to 392°F (200°C)
 -65°F (-54°C) to 842°F (450°C)
 PTFE packings can be adjusted to extend the valve life.
 Stem threads are rolled and lubricated to prevent galling and reduce operating torque.
 Optional sour gas service conforms to NACE Mr0175.
 Hydro test performed with pure water at 1.5 times of working pressure, 100% factory test
 Bonnet Lock pin Prevents accidental Removal while in service. Material : A479 304, A479 316, A182 GRF 316, Monel, Hastelloy, Inconel



DESCRIPTION

Sr. No.	Part Description	Material	Qty
1	Body	SS 316	1
2	Gland Body	SS 316	1
3	Gland Nut	SS 304	1
4	Spindle	SS 316	1
5	Gland Packing	P.T.F.E.	1
6	Gland Bush	SS 304	1
7	Trim	SS 316	1
8	Dust Cap	Rubber	1
9	Handle	SS 304	1
10	Grub Screw	SS	1
11	Check Nut	SS 304	1
12	Lock Pin	SS 304	1

3000 PSI

Model No.	Inlet x Outlet	A	B	C
TT-303-NV-4	1/4" NPT	46	19	60
TT-303-NV-6	3/8" NPT	46	22	63
TT-303-NV-8	1/2" NPT	55	25	65
TT-303-NV-12	3/4" NPT	65	32	76
TT-303-NV-16	1" NPT	74	40	114

6000 PSI

Model No.	Inlet x Outlet	A	B	C
TT-303-NV-4	1/4" NPT	50	19	60
TT-303-NV-6	3/8" NPT	50	22	63
TT-303-NV-8	1/2" NPT	65	25	65
TT-303-NV-12	3/4" NPT	65	32	76
TT-303-NV-16	1" NPT	80	40	114

Note: 1. Packing is optional with graphite for high temperature to 450°C

Note: All dimensions are subject to change without notice All dimensions are in mm unless specified
 Range of Seals (Graphoil, PTFE, PEEK etc..) and Materials (Inconel, Monel, Hastelloy, Duplex etc..) available.



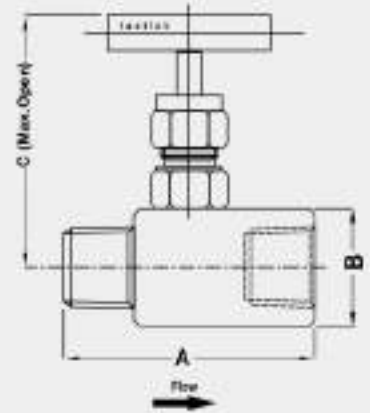
NEEDLE VALVES SINGLE

Bonnet Design (Male x Female)

Model No. TT-304-NV

FEATURES

Maximum working pressure:
 3000 psi (207 bar) at 100°F (38°C)
 6000 psi (414bar) at 100°F (38°C)
 Working temperature:
 -22°F (-30°C) to 392°F (200°C)
 -65°F (-54°C) to 842°F (450°C)
 PTFE packings can be adjusted to extend the valve life.
 Stem threads are rolled and lubricated to prevent galling and reduce operating torque.
 Optional sour gas service conforms to NACE Mr0175.
 Hydro test performed with pure water at 1.5 times of working pressure, 100% factory test
 Bonnet Lock pin Prevents accidental Removal while in service. Material : A479 304, A479 316, A182 GRF 316, Monel, Hastelloy, Inconel



DESCRIPTION

Sr. No.	Part Description	Material	Qty
1	Body	SS 316	1
2	Gland Body	SS 316	1
3	Gland Nut	SS 304	1
4	Spindle	SS 316	1
5	Gland Packing	P.T.F.E.	1
6	Gland Bush	SS 304	1
7	Trim	SS 316	1
8	Dust Cap	Rubber	1
9	Handle	SS 304	1
10	Grub Screw	SS	1
11	Check Nut	SS 304	1

3000 PSI

Model No.	Inlet x Outlet	A	B	C
TT-304-NV-4	1/4" NPT	50	19	60
TT-304-NV-6	3/8" NPT	50	22	63
TT-304-NV-8	1/2" NPT	57	25	65
TT-304-NV-12	3/4" NPT	60	32	76
TT-304-NV-16	1" NPT	70	40	114

6000 PSI

Model No.	Inlet x Outlet	A	B	C
TT-304-NV-4	1/4" NPT	50	22	89
TT-304-NV-6	3/8" NPT	50	25	89
TT-304-NV-8	1/2" NPT	65	28	90
TT-304-NV-12	3/4" NPT	65	26	110
TT-304-NV-16	1" NPT	80	45	113

Note: 1. Packing is optional with graphite for high temperature to 450°C

Range of Seals (Graphoil, PTFE, PEEK etc..) and Materials (Inconel, Monel, Hastelloy, Duplex etc..) available.

TWO VALVE MANIFOLD REMOTE MOUNT (Pipe x Pipe) Model No. TT-401-2VMR For Vent Model No. TT-401-2VMR-V



FEATURES

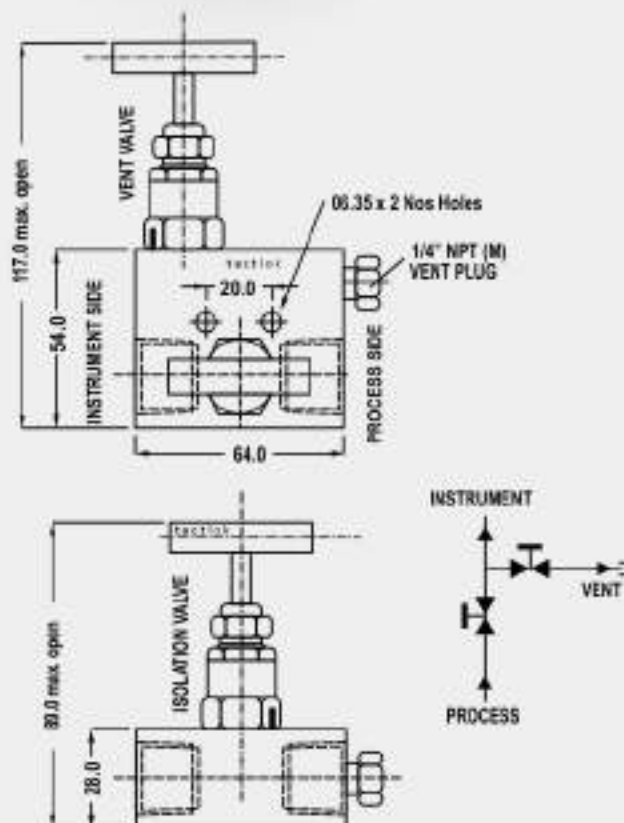
Maximum working pressure:
6000 psi (414bar) at 100°F (38°C)
Working temperature:
-65°F (-54°C) to 464°F (240°C)
Diversity of configuration for application to differential pressure, level and transmitters.
color caps to identify valve function.
100% factory tested.
Heat code traceability.
Material : A479 304, A479 316, A182 GRF 316
Finish: SS Natural, Shot Blast, Zinc Plated



DESCRIPTION

Sr. No.	Part Description	Material	Qty
1	Body	SS 316	1
2	Gland Body	SS 316	2
3	Gland Retainer	SS 304	2
4	Check Nut	SS 304	2
5	Spindle	SS 316	2
6	Gland Packing	P.T.F.E.	4
7	Gland Ring	SS 304	2
8	Gland Washer	SS 304	2
9	Trim	SS 316	2
10	Dust Cap	Rubber	2
11	Handle	SS 304	2
12	Grub Screw	SS	2
13	Lock Pin	SS 304	2

Note: 1. Packing is optional with graphite for high temperature to 450°C



Note: All dimensions are subject to change without notice All dimensions are in mm unless specified
Range of Seals (Graphoil, PTFE, PEEK etc..) and Materials (Inconel, Monel, Hastelloy, Duplex etc..) available.



TWO VALVE "T" TYPE MANIFOLD FOR PRESSURE INSTRUMENTS

(Pipe x Flange)

Model No. TT-402-2VMT

For Vent Model No. TT-402-2VMT-V

FEATURES

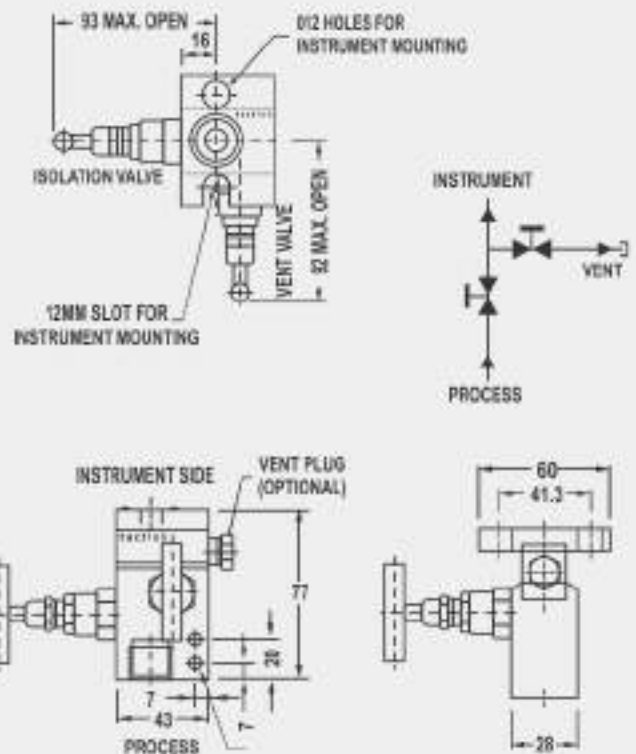
Maximum working pressure:
6000 psi (414bar) at 100°F (38°C)
Working temperature:
-65°F (-54°C) to 464°F (240°C)
Diversity of configuration for application to differential pressure, level and transmitters.
color caps to identify valve function.
100% factory tested.
Heat code traceability.
Material : A479 304, A479 316, A182 GRF 316
Finish: SS Natural, Shot Blast, Zinc Plated



DESCRIPTION

Sr. No.	Part Description	Material	Qty
1	Body	SS 316	1
2	Gland Body	SS 316	2
3	Gland Retainer	SS 304	2
4	Check Nut	SS 304	2
5	Spindle	SS 316	2
6	Gland Packing	P.T.F.E.	4
7	Gland Ring	SS 304	2
8	Gland Washer	SS 304	2
9	Trim	SS 316	2
10	Dust Cap	Rubber	2
11	Handle	SS 304	2
12	Grub Screw	SS	2
13	Lock Pin	SS 304	2

Note: 1. Packing is optional with graphite for high temperature to 450°C



Range of Seals (Graphoil, PTFE, PEEK etc..) and Materials (Inconel, Monel, Hastelloy, Duplex etc..) available.

THREE VALVE MANIFOLD REMOTE MOUNT (Pipe x Pipe)

Model No. TT-403-3VMR
For Vent Model No. TT-403-3VMR-V



FEATURES

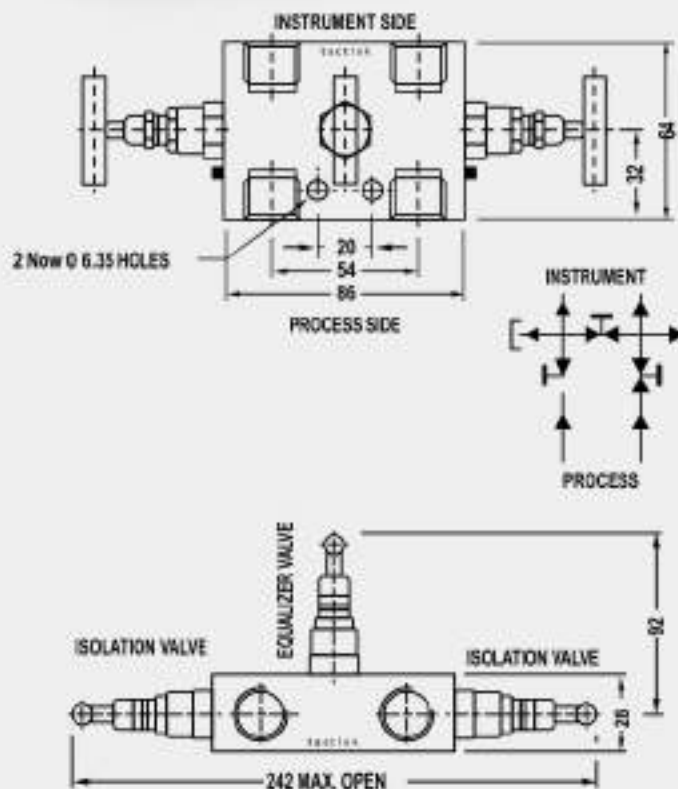
Maximum working pressure:
6000 psi (414bar) at 100°F (38°C)
Working temperature:
-65°F (-54°C) to 464°F (240°C)
Diversity of configuration for application to differential pressure, level and transmitters.
color caps to identify valve function.
100% factory tested.
Heat code traceability.
Material : A479 304, A479 316, A182 GRF 316
Finish: SS Natural, Shot Blast, Zinc Plated



DESCRIPTION

Sr. No.	Part Description	Material	Qty
1	Body	SS 316	1
2	Gland Body	SS 316	2
3	Gland Retainer	SS 304	2
4	Check Nut	SS 304	2
5	Spindle	SS 316	2
6	Gland Packing	P.T.F.E.	4
7	Gland Ring	SS 304	2
8	Gland Washer	SS 304	2
9	Trim	SS 316	2
10	Dust Cap	Rubber	2
11	Handle	SS 304	2
12	Grub Screw	SS	2
13	Lock Pin	SS 304	2

Note: 1. Packing is optional with graphite for high temperature to 450°C



Note: All dimensions are subject to change without notice All dimensions are in mm unless specified
Range of Seals (Graphoil, PTFE, PEEK etc..) and Materials (Inconel, Monel, Hastelloy, Duplex etc..) available.



THREE VALVE MANIFOLD DIRECT MOUNT T TYPE

(Pipe x Flange)

Model No. TT-404-3VMT

For Vent Model No. TT-404-3VMT-V

FEATURES

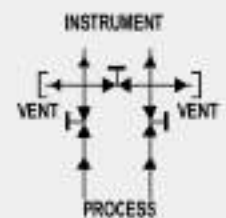
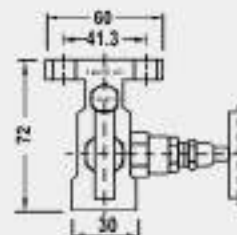
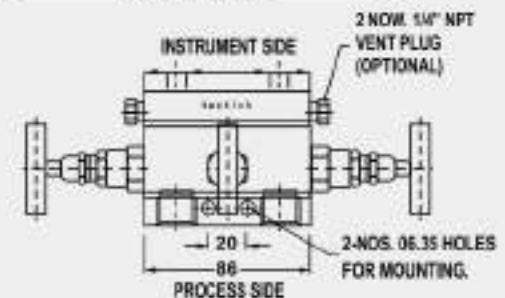
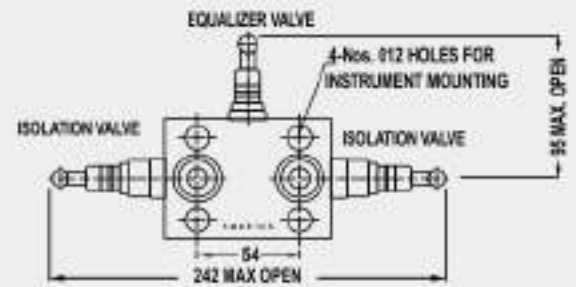
- Maximum working pressure: 6000 psi (414bar) at 100°F (38°C)
- Working temperature: -65°F (-54°C) to 464°F (240°C)
- Diversity of configuration for application to differential pressure, level and transmitters.
- color caps to identify valve function.
- 100% factory tested.
- Heat code traceability.
- Material : A479 304, A479 316, A182 GRF 316
- Finish: SS Natural, Shot Blast, Zinc Plated



DESCRIPTION

Sr. No.	Part Description	Material	Qty
1	Body	SS 316	1
2	Gland Body	SS 316	2
3	Gland Retainer	SS 304	2
4	Check Nut	SS 304	2
5	Spindle	SS 316	2
6	Gland Packing	P.T.F.E.	4
7	Gland Ring	SS 304	2
8	Gland Washer	SS 304	2
9	Trim	SS 316	2
10	Dust Cap	Rubber	2
11	Handle	SS 304	2
12	Grub Screw	SS	2
13	Lock Pin	SS 304	2

Note: 1. Packing is optional with graphite for high temperature to 450°C



Range of Seals (Graphoil, PTFE, PEEK etc..) and Materials (Inconel, Monel, Hastelloy, Duplex etc..) available.

THREE VALVE MANIFOLD DIRECT MOUNT H TYPE

(Flange x Flange)

Model No. TT-405-3VMH

For Vent Model No. TT-405-3VMH-V



FEATURES

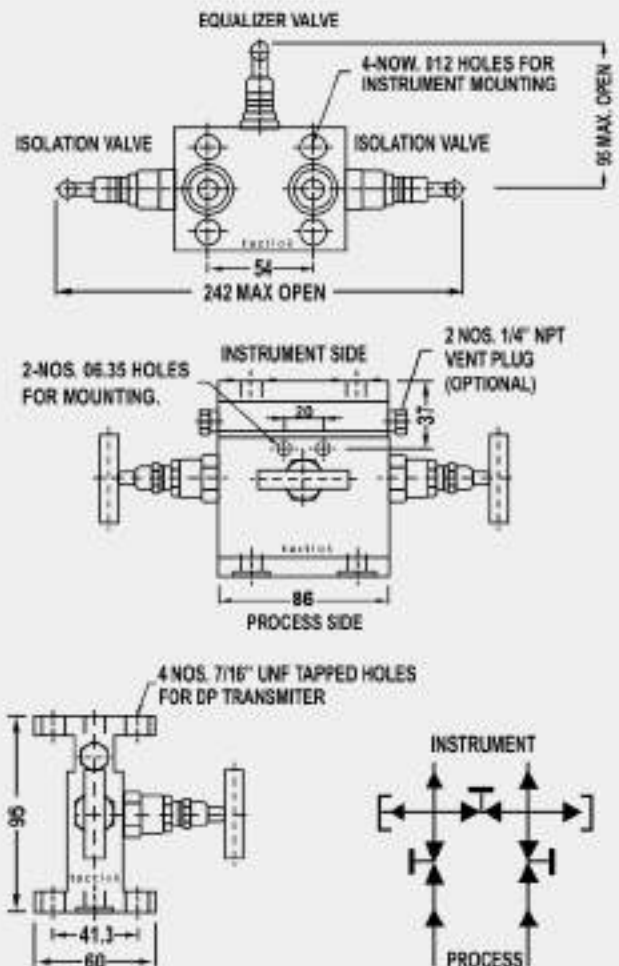
Maximum working pressure:
6000 psi (414bar) at 100°F (38°C)
Working temperature:
-65°F (-54°C) to 464°F (240°C)
Diversity of configuration for application to differential pressure, level and transmitters.
color caps to identify valve function.
100% factory tested.
Heat code traceability.
Material : A479 304, A479 316, A182 GRF 316
Finish: SS Natural, Shot Blast, Zinc Plated



DESCRIPTION

Sr. No.	Part Description	Material	Qty
1	Body	SS 316	1
2	Gland Body	SS 316	2
3	Gland Retainer	SS 304	2
4	Check Nut	SS 304	2
5	Spindle	SS 316	2
6	Gland Packing	P.T.F.E.	4
7	Gland Ring	SS 304	2
8	Gland Washer	SS 304	2
9	Trim	SS 316	2
10	Dust Cap	Rubber	2
11	Handle	SS 304	2
12	Grub Screw	SS	2
13	Lock Pin	SS 304	2

Note: 1. Packing is optional with graphite for high temperature to 450°C



Note: All dimensions are subject to change without notice All dimensions are in mm unless specified
Range of Seals (Graphoil, PTFE, PEEK etc..) and Materials (Inconel, Monel, Hastelloy, Duplex etc..) available.



FIVE VALVE MANIFOLD REMOTE MOUNT (Pipe x Pipe)

Model No. TT-406-5VMR

For Vent Model No. TT-406-5VMR-V

FEATURES

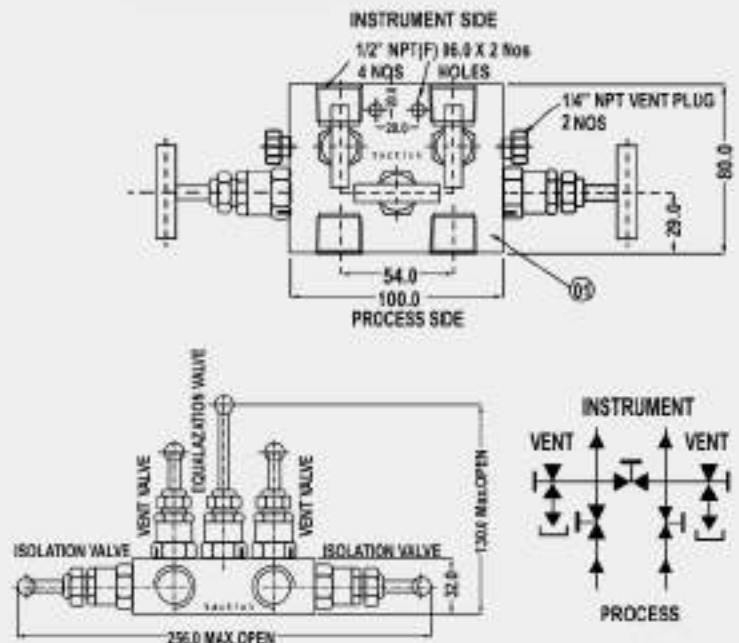
Maximum working pressure:
6000 psi (414bar) at 100°F (38°C)
Working temperature:
-65°F (-54°C) to 464°F (240°C)
Diversity of configuration for application to differential pressure, level and transmitters.
color caps to identify valve function.
100% factory tested.
Heat code traceability.
Material : A479 304, A479 316, A182 GRF 316
Finish: SS Natural, Shot Blast, Zinc Plated



DESCRIPTION

Sr. No.	Part Description	Material	Qty
1	Body	SS 316	1
2	Gland Body	SS 316	2
3	Gland Retainer	SS 304	2
4	Check Nut	SS 304	2
5	Spindle	SS 316	2
6	Gland Packing	P.T.F.E.	4
7	Gland Ring	SS 304	2
8	Gland Washer	SS 304	2
9	Trim	SS 316	2
10	Dust Cap	Rubber	2
11	Handle	SS 304	2
12	Grub Screw	SS	2
13	Lock Pin	SS 304	2

Note: 1. Packing is optional with graphite for high temperature to 450°C



Range of Seals (Graphoil, PTFE, PEEK etc..) and Materials (Inconel, Monel, Hastelloy, Duplex etc..) available.

FIVE VALVE MANIFOLD, DIRECT MOUNT T TYPE

(Pipe x Flange)

Model No. TT-407-5VMT

For Vent Model No. TT-407-5VMT-V



FEATURES

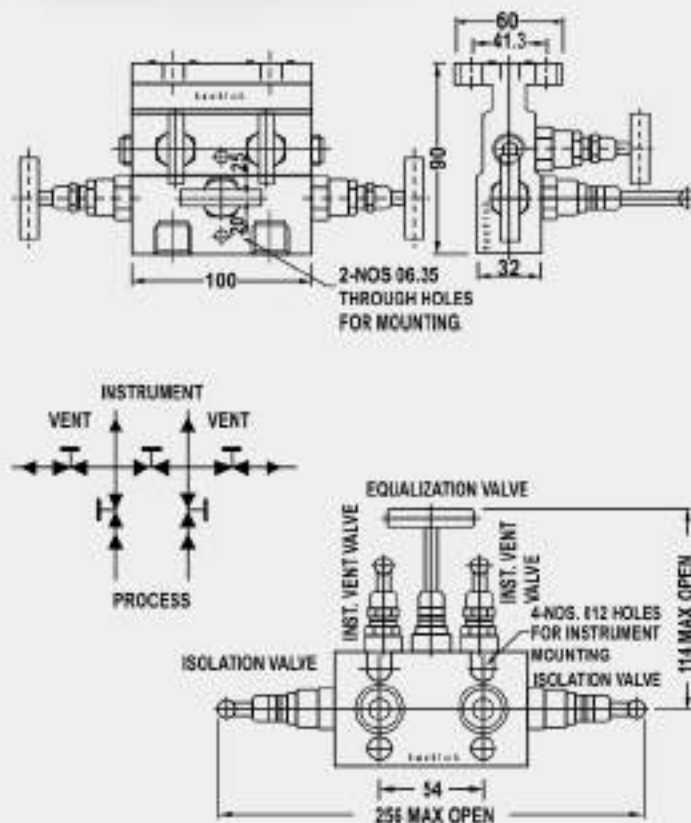
Maximum working pressure:
6000 psi (414bar) at 100°F (38°C)
Working temperature:
-65°F (-54°C) to 464°F (240°C)
Diversity of configuration for application to differential pressure, level and transmitters.
color caps to identify valve function.
100% factory tested.
Heat code traceability.
Material : A479 304, A479 316, A182 GRF 316
Finish: SS Natural, Shot Blast, Zinc Plated



DESCRIPTION

Sr. No.	Part Description	Material	Qty
1	Body	SS 316	1
2	Gland Body	SS 316	5
3	Gland Retainer	SS 304	5
4	Check Nut	SS 304	5
5	Spindle	SS 316	5
6	Gland Packing	P.T.F.E.	10
7	Gland Ring	SS 304	5
8	Gland Washer	SS 304	5
9	Trim	SS 316	5
10	Dust Cap	Rubber	5
11	Handle	SS 304	5
12	Grub Screw	SS	5
13	Lock Pin	SS 304	5

Note: 1. Packing is optional with graphite for high temperature to 450°C



Note: All dimensions are subject to change without notice All dimensions are in mm unless specified
Range of Seals (Graphoil, PTFE, PEEK etc..) and Materials (Inconel, Monel, Hastelloy, Duplex etc..) available.



FIVE VALVE MANIFOLD DIRECT MOUNT H TYPE

(Flange x Flange)

Model No. TT-408-5VMH

For Vent Model No. TT-408-5VMH-V

FEATURES

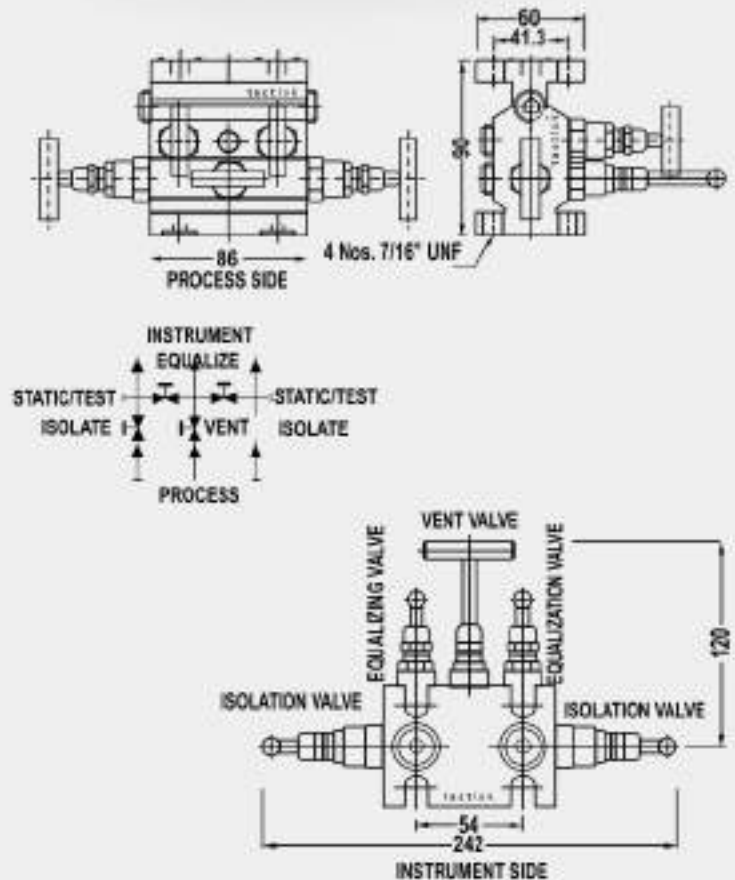
Maximum working pressure:
6000 psi (414bar) at 100°F (38°C)
Working temperature:
-65°F (-54°C) to 464°F (240°C)
Diversity of configuration for application to differential pressure, level and transmitters.
color caps to identify valve function.
100% factory tested.
Heat code traceability.
Material : A479 304, A479 316, A182 GRF 316
Finish: SS Natural, Shot Blast, Zinc Plated



DESCRIPTION

Sr. No.	Part Description	Material	Qty
1	Body	SS 316	1
2	Gland Body	SS 316	5
3	Gland Retainer	SS 304	5
4	Check Nut	SS 304	5
5	Spindle	SS 316	5
6	Gland Packing	P.T.F.E.	10
7	Gland Ring	SS 304	5
8	Gland Washer	SS 304	5
9	Trim	SS 316	5
10	Dust Cap	Rubber	5
11	Handle	SS 304	5
12	Grub Screw	SS	5
13	Lock Pin	SS 304	5

Note: 1. Packing is optional with graphite for high temperature to 450°C



Range of Seals (Graphoil, PTFE, PEEK etc..) and Materials (Inconel, Monel, Hastelloy, Duplex etc..) available.

FIVE VALVE MANIFOLD COPLANAR MOUNT

(Pipe x Flange)

Model No. TT-409-5VMC

For Vent Model No. TT-409-5VMC-V



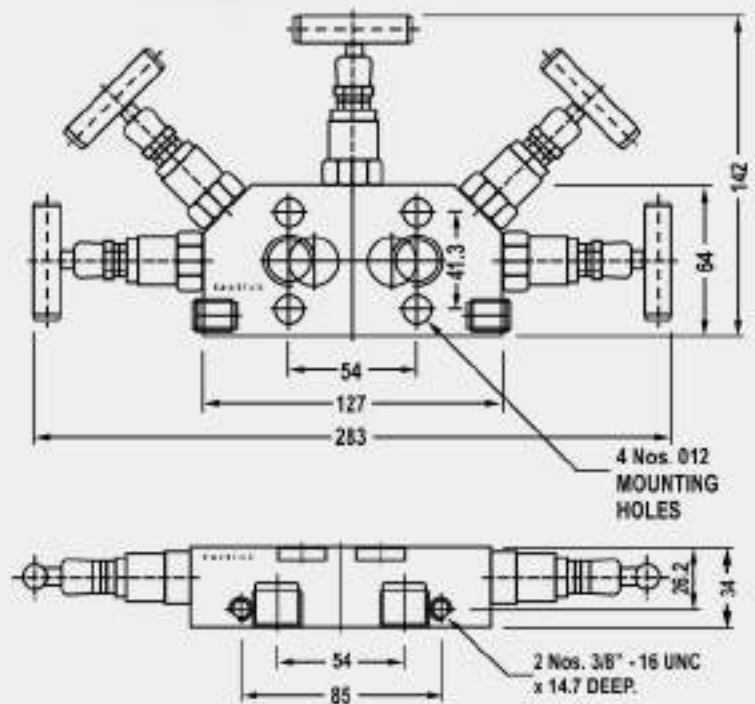
FEATURES

Maximum working pressure:
6000 psi (414bar) at 100°F (38°C)
Working temperature:
-65°F (-54°C) to 464°F (240°C)
Diversity of configuration for application to differential pressure, level and transmitters.
color caps to identify valve function.
100% factory tested.
Heat code traceability.
Material : A479 304, A479 316, A182 GRF 316
Finish: SS Natural, Shot Blast, Zinc Plated

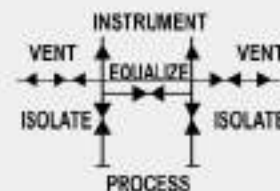


DESCRIPTION

Sr. No.	Part Description	Material	Qty
1	Body	SS 316	1
2	Gland Body	SS 316	5
3	Gland Retainer	SS 304	5
4	Check Nut	SS 304	5
5	Spindle	SS 316	5
6	Gland Packing	P.T.F.E.	10
7	Gland Ring	SS 304	5
8	Gland Washer	SS 304	5
9	Trim	SS 316	5
10	Dust Cap	Rubber	5
11	Handle	SS 304	5
12	Grub Screw	SS	5
13	Lock Pin	SS 304	5



Note: 1. Packing is optional with graphite for high temperature to 450°C



Note: All dimensions are subject to change without notice All dimensions are in mm unless specified
Range of Seals (Graphoil, PTFE, PEEK etc..) and Materials (Inconel, Monel, Hastelloy, Duplex etc..) available.



CHECK VALVE

(Female X Female)

Model No. TT-501-CV-FXF-6K

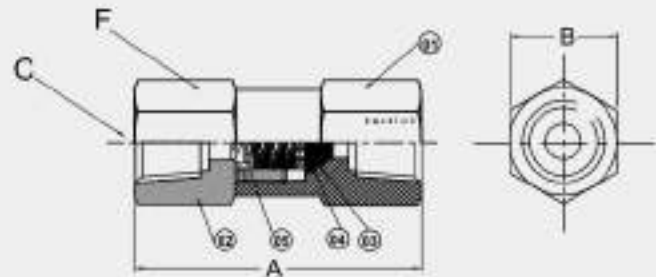
FEATURES

Maximum Working Pressure: 6000 psi (414 bar) at 100°F (38°C)

Working Temperature : -10°F (-23°C) to 392°F (200°C)

SS304/SS316 Stainless Steel, Cracking Pressure : 1psi (.06 bar) to 25psi (1.7 bar)

Viton O-rings, Sizes: 1/8"~1" pipe thread



DESCRIPTION

Bill Of Material

Sr. No.	Description	Material	Qty
1	Body	SS316	1
2	Side Adaptor	SS316	1
3	O Ring	VITON	1
4	Piston	SS316	1
5	Spring	SS	1

Note: 1. Packing is optional with graphite for high temperature to 450°C

6000 PSI

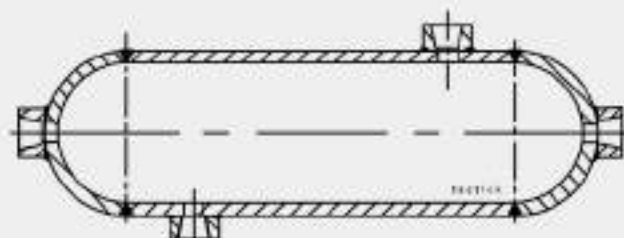
Model No.	A	B(SQ)	C	F(A/F)
TT-401-CV-2	62.0	19.0	1/8"NPT	19.0
TT-401-CV-4	62.0	19.0	1/4"NPT	19.0
TT-401-CV-6	62.0	22.0	3/8"NPT	22.0
TT-401-CV-8	74.0	28.5	1/2"NPT	28.5
TT-401-CV-12	75.0	32.0	3/4"NPT	32.0
TT-401-CV-16	87.0	41.0	1"NPT	41.0

*End connections other threads on request

Note: All dimensions are subject to change without notice All dimensions are in mm unless specified
Range of Seals (Graphoil, PTFE, PEEK etc..) and Materials (Inconel, Monel, Hastelloy, Duplex etc..) available.

CONDENSATE POT

Model No.TT-601



Condensate is steam that has been condensed back into water. Condensate should not be confused with demineralized, de-ionized, make up, or softened water. When the condensate enters the boiler feed pump additional chemicals are added and the product is now called boiler feed water.

FEATURES

- Use as liquid or condensate traps, seal pots, vapour chambers and knockout pots.
- All connectors are furnished with plastic plugs.
- Chambers are made from seamless carbon steel pipe and weld caps. All pipe connections are 3000# half-couplings mounted on 90 Degree angle. Extra connections can be furnished upon customer request.
- Heat code traceability
- All threads will be protected with dead plugs / plastic caps. Piping code compliance ASME B31.1

APPLICATION

Refineries, liquid, petroleum gas processing plant, petro-chemical plants, systems difficult to shur off due to solid contents dust, rust, dirt etc.

TESTING

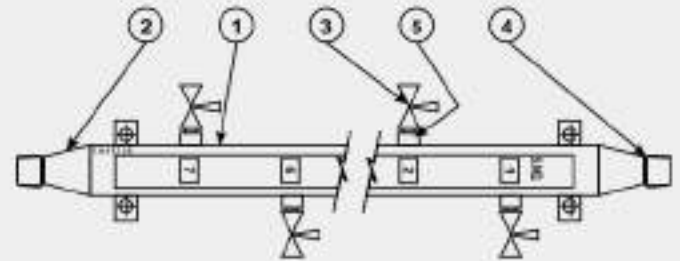
Hydrostatic shell test is performed at 1.5 times the working pressure.

TECHNICAL SPECIFICATIONS

- Size: pipe size 2", 3", 4" and larger size upon request.
- Length: Pipe length 8', 10', 12' and larger length upon request.
- Working pressure : 6000 Psig (413 Bar)
- Material of construction : SS 316, SS 304, C.S.,ASTM A 106 Gr B
- Pipe Schedule: 40, 80, 160, XX seamless pipe.
- NPT as per ANSI B2.1 taper pipe thread 1/2" furnished.
- Socket weld as per ANSI B16.11
- Butt weld as per ANSI B16.9
- All chamber are 100% Factory tested prior to shipment.

AIR HEADER

Model No.TT-602



FEATURES

- Pipe air header distributor. Connects pipe to pipe or flange to flange Drain / Vent connection & 1/4" NPT, 1/2"NPT on either side of pipe.
- Heat code traceability

BONNET ASSEMBLY

- Screwed bonnet design.
- Bonnet-back seated blow out proof
- Spindle - Ground and thread rolled.
- Dust cap protects stem threads from externals contamination
- Leak tight seal with low operating torque.

APPLICATION

- Refineries, Liquid Petroleum gas processing plant, Petro-chemical plants, systems difficult to shut off due to solid contents dust, rust, dirt etc.

TESTING

- Pneumatic Seat test is performed at 1/4 of working pressure.
- Hydrostatic shell test is performed at 1.5 times the working pressure

Sr. No.	Description	Qty	Material
1	Pipe	1	SS 316
2	Reducer	2	SS 316
3	Needle Valve	As req.	SS 316
4	Nipple	2	SS 316
5	Nipple	As req.	SS 316

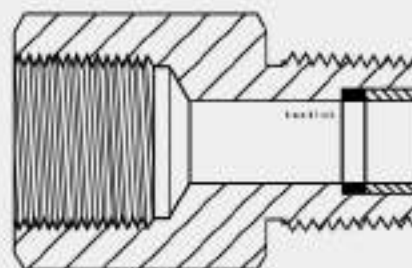
TECHNICAL SPECIFICATIONS

- Size : 1/2", 3/4", 1" NPT AND FLANGE.
- End connection : NPT,BSPT,Socket weld.
- Working Pressure : 6000 Psi (413 Bar)
- Temperature Rating : PTFE 450 Deg. F (232 Deg.C) Grafoil 700 Deg. F (371 Deg. C)
- Material of construction : SS 316, SS 304, C.S.
- Stem packing : PTFE, Grafoil.
- Orifice : Dia. 4.7
- All valves are 100% Factory tested prior to shipment.



GAUGE SNUBBER

Model No.TT-603



FEATURES

- Gauge Snubber protects pressure gauges and instruments from system pressure surges and shock. Pressure damping (snubbing) is accomplished through the use of a porous sintered SS 316 element. When snubber is installed up stream from a pressure instruments , the response rate of the instrument is reduced and generally varies with the initial pressure drop across the porous metal element, and allows the instrument to smoothly come to line pressure.
- Heat code traceability

APPLICATION

- Refineries, liquid petroleum gas processing plant, petro-chemical plants, systems difficult to shut off due to solid contents dust, rust, dirt etc.

TESTING

- Pneumatic Seat test is performed at 1/4 of working pressure.
- Hydrostatic shell test is performed at 1.5 times the working pressure.

TECHNICAL SPECIFICATIONS

- Size : 1/4"F x 1/4"M
1/2"F x 1/2"M
1/4"F x 1/8"M
1/2"F x 1/4"M
1/2"F x 3/8"M
- End Connection : NPT, BSP, BSPT, or as per customer requirement
- Working pressure : 6000 Psi (450Bar)
- Material of construction : SS 316, SS 304, Brass, Monel
- All Snubbers are 100% Factory tested prior to shipment.



FLANGES CONNECTOR / FLANGE ADAPTOR

Model No.TT-604



FEATURES

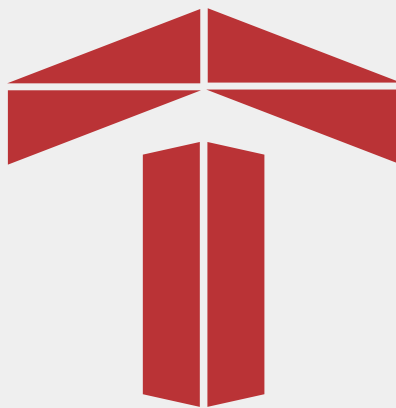
- Flange Adaptor or Flange Connector reduce the possibility of leakage with threadless/weldless transition from Flanged Piping systems to tubing systems.
- Heat code traceability

APPLICATION

- Refineries, liquid petroleum gas processing plant, petro-chemical plants, systems difficult to shut off due to solid contents dust, rust, dirt etc.

TECHNICAL SPECIFICATIONS

- Flange Size : As per Client requirement. 1/4"NB to 8"NB
- End Connection : NPT, BSP, BSPT, or as per customer requirement
- Class : 150#, 300#, 600#, 900#, 1500#, 2500#
- Working pressure : 6000 Psi (450Bar)
- Material of construction : SS 316, SS 304, Brass, Monel
- Connector Size:
As per client requirement. 3mm to 25mm & 1/8"OD to 1"OD



tactlok

B12-A, Flox Chambers, 1st Floor, Tata Road 1, Opera House, Mumbai 400004

Phone: +91-22-67436862 / 66336862

Email: info@tactlok.com

Web: www.tactlok.com